



# LADY.5



CONTROL PANELS:  
LADY.5 ———— | DA.24V



## ROAD BARRIERS

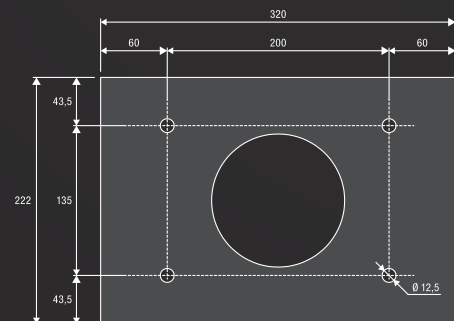
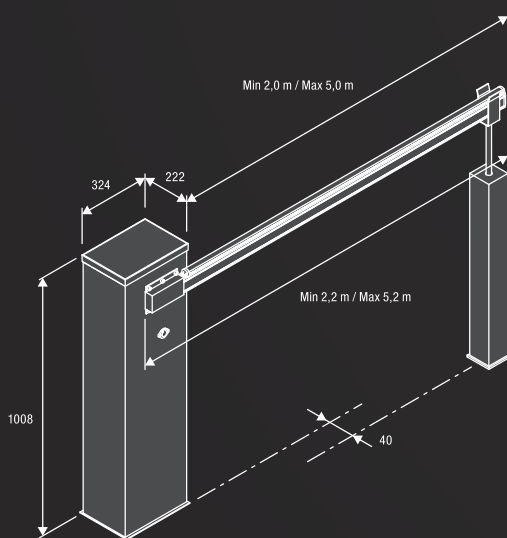
integrated control box  
for passages up to 5 m

**FOUNDATION PLATE  
AND RECEIVER  
NOT INCLUDED**



## 24 Vdc | intensive use

- Electromechanical 24 Vdc right barrier for intensive use. The barrier can be easily converted to left operation
- Manual release with external activation
- Optional built-in FTC.S photocells thanks to the innovative hide-away system that allows for their perfect integration
- 2 adjustable mechanical stops
- Optional battery powered operation
- Amperometric sensor obstacle detection system to prevent crushing
- Three adjustable limit switches for the braking phases and the closure position
- Stainless steel version LADY.5I available
- Simple, quick and reliable rod balancing system
- Foundation plate accessory with VE.PS coach screws



VE.PS



**LADY.P5**  
9081027

5.2 m white painted aluminium arm. Caps are included. Provided with red rubber profiles.



**VE.PS**  
9623068

Foundation plate with coach screws for LADY.5.



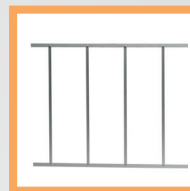
**VE.TERM**  
9864010

Thermostat for very cold places.



**VE.AM**  
9078020

Mobile support for bars.



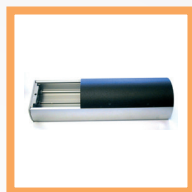
**VE.RAST**  
9672010

Aluminium rack L= 2 m. H= 60 cm



**VE.AF**  
9078010

**VE.AFI**  
9078015  
Painted/ Stainless steel fixed support for bars.



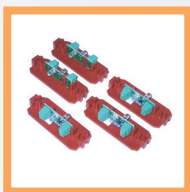
**LADY.COL**  
9230001

Support for the installation of a second pair of photocell.



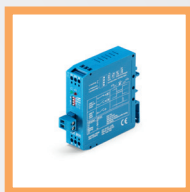
**LADY.SN**  
9780001

Articulated joint set for LADY.P5 (rubber profiles must be removed). It compromises the use of any other accessory.



**LADY.L**  
9534001

Flashing light set for LADY.P5.



**VE.KM1HN**  
9614267

**VE.KM2HN**  
9614268  
Single/two-channel loop detector.



**VE.CS**  
9760050

Traffic-light control unit for LED.TL.



**LED.TL**  
9766003

2 light 230 Vac LED traffic light.



**VE.CAT500**  
9549020

Set of 20 adhesive refractor strips for LADY.P5.



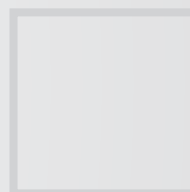
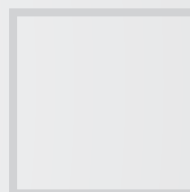
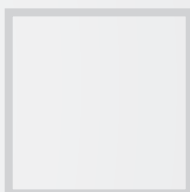
**ESA BASIC**  
9176108

System that reduces the electrical energy consumption. In the LADY.5 model, the use of ESA BASIC is not compatible with the battery operation.



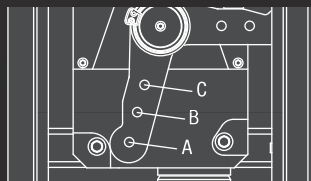
**KSUN**  
9611004

KIT for system operation via solar panel. For 24 Vdc models.



**MADE IN ITALY**

AUTOMATISMI BENINCA SpA • via del Capitello, 45 • 36066 Sandrigo (VI) ITALY • T +39 0444 751030 • F +39 0444 759728 • sales@beninca.it



ACCESSORIES FOR USE	BAR LENGTH (m)					
	2.2	2.7	3.2	3.7	4.2	5.2
No accessories	---	C	C	B	B	A
LADY.P (only upper)	C	C	C	B	B	A
LADY.P (upper and lower)	C	C	C	B	B	A
VE.RAST	C	C	B	B	A	---
LADY.P (only upper) + VE.RAST	C	C	B	A	A	---
LADY.P (only upper) + VE.AM	C	C	C	B	A	A
LADY.P (upper and lower) + VE.AM	C	C	C	B	A	A
LADY.P (only upper) + VE.RAST + VE.AM	C	B	B	A	A	---
SC.RES	C	C	B	B	A	---
LADY.P (only upper) + SC.RES	C	C	B	A	A	---
SC.RES + VE.AM	C	B	B	A	A	---
LADY.P (only upper) + SC.RES + VE.AM	C	B	B	A	A	---
VE.RAST + VE.AM	C	B	B	A	A	---

The installation of the VE.RAST interferes with the use of the SC.RES and vice versa.  
The installation of the LADY.L lights kit does not influence the balancing of the bar.

**TECHNICAL DATA**

**LADY.5**

Code	9083052
Power supply	230 Vac (50-60Hz)
Motor supply	24 Vdc
Max absorbed current	1.6 A
Torque	205 Nm
Opening time	3" - 5"
Operation cycle	intensive use
Protection level	IP44
Operating temperature	-20°C /+50°C
Weight	52 kg

**Items no. per pallet**

**9**